

Queensland Faceting Competition 2018

Sponsored by

North Brisbane Lapidary Club



Conducted by the Australian Faceters' Guild

This is a Level 2 competition
The competition will be conducted in two Divisions.

1 Novice Division

2 Open Division

All Judging and rules shall be as per the Competition and Judging Manual Issue No 8 published April 2015 by AFLACA.

Each Division will consist of two stones the Judges points are added together and the competitor with the highest points for the two stones will win the Division.

Boxes containing entries must be clearly marked with division and the name of the gem material. The entrant's name must **NOT** appear on the box, but **MUST** be enclosed separately for identification purposes.

Minimum size in all sections is 6mm on the shortest axis of outline shape viewed from above.

Stones more than 0.1mm below minimum size will be ineligible.

Entries with official entry form must be received no later than the 30th of January 2018 to **Graham Kinsela AFG. P.O.Box 7088, Brendale. Qld. 4500.**

All entries will be displayed and results announced at the NBLC Gem Show on the 3rd March 2018

Entries, Judging sheets and prizes where applicable will be available for collection at the Gem show from 3PM on Sunday the 4th of March. If you want your entry posted back, then please include return postage.

Entries and awards not collected will be mailed to contestants by the 20th of March 2018

Section numbers reflect the numbers in the AFLACA Manual and points allocation are also as per the Manual.

Only QLACCA or AFLACA affiliated club members are eligible to enter.

Competition Sections

Novice

Both novice sections must be cut to be eligible for the Prizes.

Section N.8B.1 Standard Round Brilliant Cut in CZ

Section N.10.1 Tessellation 12 Cut in CZ

Open

Both open sections must be cut to be eligible for the Prizes.

Section O.10.1 Square Brilliant one, Specified size: 8mm. Cut in Colourless Topaz

Section O.10.2 Wieland Star, Cut in Coloured Quartz

Trophies:

Open & Novice

Certificate + parcel of CZ rough

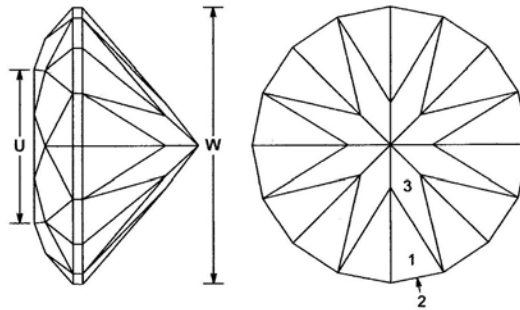
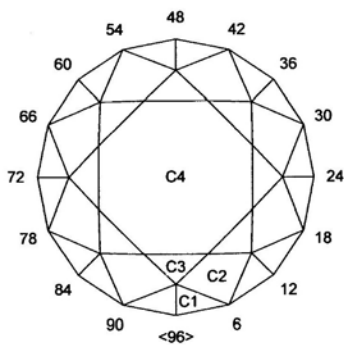
1st Place 800ct CZ*

2nd Place 300ct CZ*

3rd Place 150ct CZ*

*denotes approximate value, could vary slightly from given value.

Queensland Faceting Competition 2018
NOVICE DIVISION SECTION N.8B.1
To be cut in CZ. Number of Meets: P25 + C32 = 57 Meets



Standard Round Brilliant

angles for CZ

Angles for R.I. = 2.160

57 + 16 girdles = 73 facets

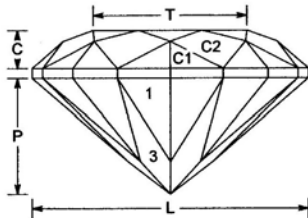
8-fold, mirror-image symmetry

96 index

L/W = 1.000 T/W = 0.556 U/W = 0.556

P/W = 0.420 C/W = 0.139

Vol./W³ = 0.210



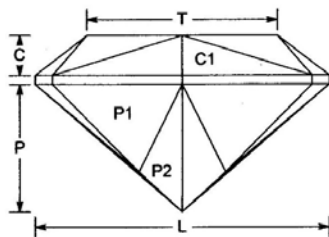
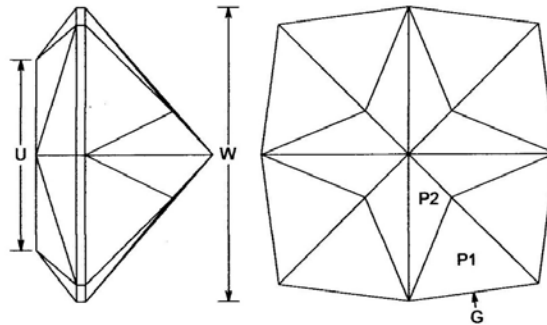
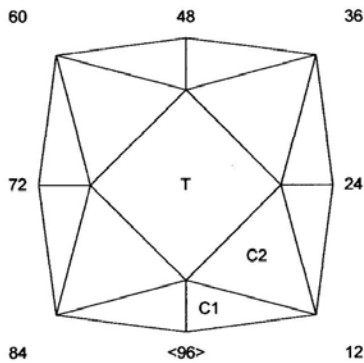
PAVILION

1	41.49°	03-09-15-21-27-33-39-45- 51-57-63-69-75-81-87-93	Cut to TCP
2	90.00°	03-09-15-21-27-33-39-45- 51-57-63-69-75-81-87-93	Set size of stone
3	40.00°	06-18-30-42-54-66-78-90	Meet 1,2 at girdle

CROWN

C1	42.00°	03-09-15-21-27-33-39-45- 51-57-63-69-75-81-87-93	Set girdle width
C2	35.00°	06-18-30-42-54-66-78-90	Meet C1 at girdle
C3	20.00°	96-12-24-36-48-60-72-84	Meet C1, C2
C4	0.00°	Table	Meet C2, C3

Queensland Faceting Competition 2018
NOVICE DIVISION SECTION N .10.1
To be cut in CZ. Number of Meets P13, C12 = 25



Tessellation 12 (F)

By Arya Akhavan (October 2012)

angles for CZ

Angles for R.I. = 2.160

29 + 8 girdles = 37 facets

4-fold, mirror-image symmetry

96 index

$L/W = 1.000$ $T/W = 0.648$ $U/W = 0.648$

$P/W = 0.434$ $C/W = 0.136$

$Vol./W^3 = 0.233$

PAVILION

P1	42.00°	02-22-26-46- 50-70-74-94	Cut to centerpoint
G	90.00°	02-22-26-46- 50-70-74-94	Set stone size
P2	41.00°	01-23-25-47- 49-71-73-95	Meet P1, G

CROWN

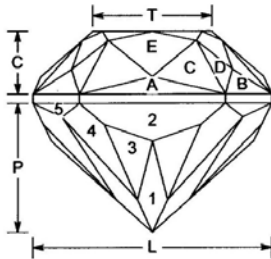
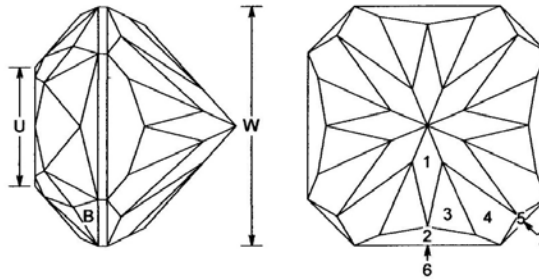
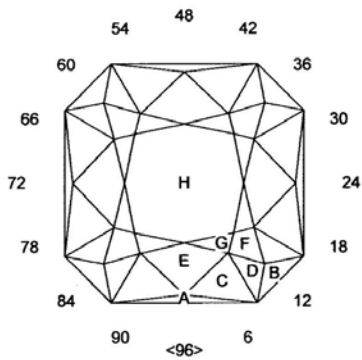
C1	38.00°	02-22-26-46- 50-70-74-94	Set girdle width
C2	19.00°	12-36-60-84	Meet G, C1
T	0.00°	Table	Meet C1, C2

Queensland Faceting Competition 2018

OPEN SECTION O10.1 Number of Meets P25, C28 = 53

Material
Specified Size

Colourless Topaz
8mm



Square Brilliant One

by John Bailey

Angles for Topaz

Angles for R.I. = 1.610

73 + 8 girdles = 81 facets

4-fold, mirror-image symmetry

96 index

L/W = 1.000 T/W = 0.497 U/W = 0.497

P/W = 0.540 C/W = 0.264

Vol./W³ = 0.377

PAVILION

1	42.00°	96-12-24-36- 48-60-72-84	Cut to PCP
2	64.20°	96-24-48-72	Cut to point of 1
3	43.90°	03-21-27-45- 51-69-75-93	meet 1, 2
4	43.50°	09-15-33-39- 57-63-81-87	meet 1,3
5	59.10°	12-36-60-84	meet point of 1
6	90.00°	96-24-48-72	level girdle
7	90.00°	12-36-60-84	level girdle

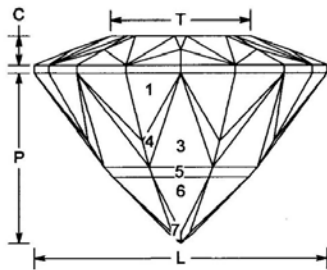
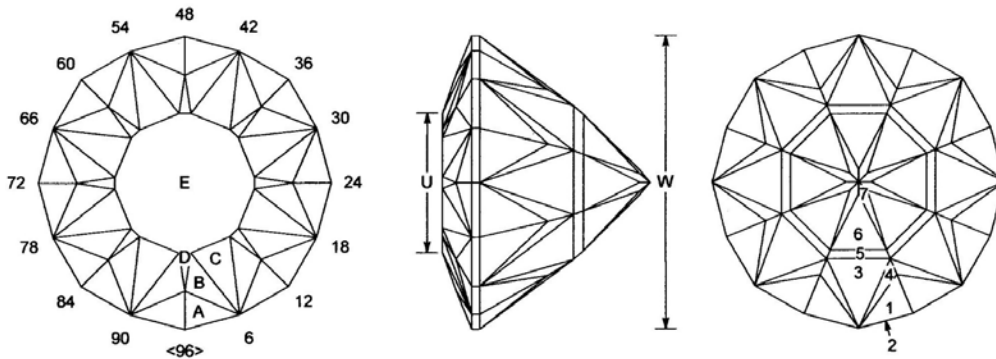
CROWN

A	65.70°	96-24-48-72	set girdle width
B	48.20°	12-36-60-84	level girdle
C	45.50°	02-22-26-46- 50-70-74-94	meet A,B
D	43.40°	10-14-34-38- 58-62-82-86	meet C,B
E	41.00°	96-24-48-72	meet A,C
F	41.00°	12-36-60-84	meet B,D
G	26.00°	03-21-27-45- 51-69-75-93	Meet E,F
H	0.00°	Table	Meet F,G

Queensland Faceting Competition 2018

OPEN DIVISION SECTION O.10.2

To be cut in Coloured Quartz Number of Meets P41, C40 = 81



Wieland Star (Germany 2009)

Angles for Quartz
 Angles for R.I. = 1.540
 113 + 16 girdles = 129 facets
 8-fold, mirror-image symmetry
 96 index
 $L/W = 1.000$ $T/W = 0.477$ $U/W = 0.477$
 $P/W = 0.581$ $C/W = 0.099$
 $Vol./W^3 = 0.235$

PAVILION

1	58.49°	04-08-16-20-28-32-40-44- 52-56-64-68-76-80-88-92	Cut to form TCP
2	90.00°	04-08-16-20-28-32-40-44- 52-56-64-68-76-80-88-92	Level Girdle
3	53.46°	96-12-24-36-48-60-72-84	Cut to meet girdle
4	56.55°	03-09-15-21-27-33-39-45- 51-57-63-69-75-81-87-93	cut to meet girdle at 1
5	48.54°	96-12-24-36-48-60-72-84	Meet 4
6	45.18°	96-12-24-36-48-60-72-84	create step cut
7	42.00°	06-18-30-42-54-66-78-90	meet 5 & 6 form PCP

CROWN

A	22.94°	04-08-16-20-28-32-40-44- 52-56-64-68-76-80-88-92	set girdle
B	21.40°	05-07-17-19-29-31-41-43- 53-55-65-67-77-79-89-91	meet A at girdle
C	21.00°	06-18-30-42-54-66-78-90	meet A,B at girdle
D	19.38°	96-12-24-36-48-60-72-84	Meet A,B
E	0.00°	Table	

This Page is left for your workings

Queensland Faceting Competition 2018

ENTRY FORM

Name: Miss. Mrs. Ms. Mr.

Address

Postcode.....

Club

Novice		
Section	Material	Colour
N. 8B.1		
N. 10.1		

Open		
Section	Material	Colour
O.10.1		
O.10.2		

Notes for Entrants:

1. Decide which Sections you are going to enter.
2. Write Name and colour of material in appropriate space for each section entered.
3. Complete the section below.
4. Include return Postage. Send your entries and this form to:

Graham Kinsela AFG. P O Box 7088, Brendale. QLD. 4500

To Arrive no later than 30th January 2018

I declare that my entries are all my own work, have not won a first prize in any competition at the same level and division

Entrants signature.....Date.....

Office use only

Received..... Checked.....Code.....

Address

Postcode.....