

NORTH BRISBANE LAPIDARY CLUB PRESIDENTS CHALLENGE 2021 FACETING

JUDGING

The competition will be judged in accordance with the rules and definitions of the Competitor & Judging Manual for lapidary & Allied Competitions Issue *No:8 April 2015*

STYLE

Minimum size 6mm. Cutting instructions are attached.

MATERIAL

The gem is to be cut in Garnet.

MAXIMUM OF 1 ENTRY PER PERSON

ENTRY FORM FACETING

Place the Stone in a container, clearly mark the outside of the container

President Challenge faceting

Do not write your name on the container

Then complete the detail below and return your entry and this entry form to the Club or Peter Smith by the 1st Feb 2021.

Name

Member No

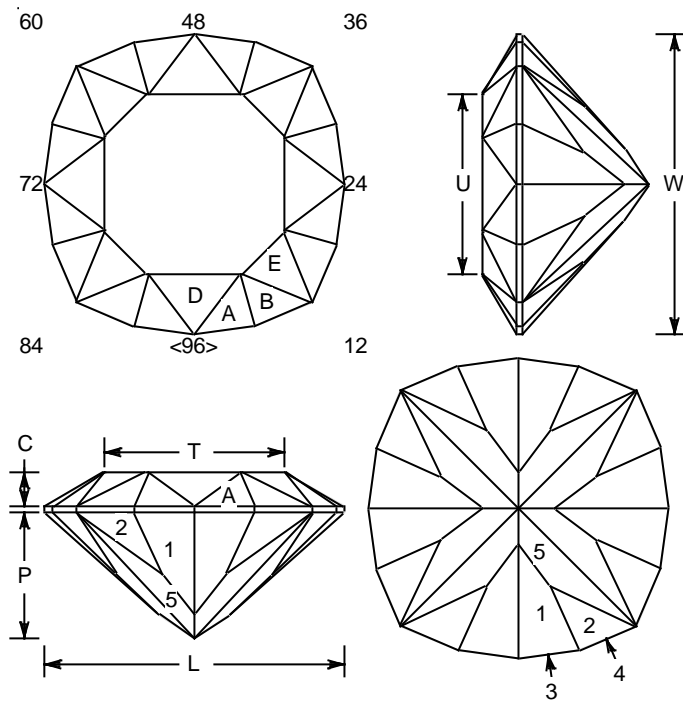
Description

Material

Office use only

Received _____ Checked _____ Code _____

PRESIDENT CHALLENGE 2021 FACETING



TONYS STONE

Angles for R.I. = 1.830 Garnet

49 + 16 girdles = 65 facets

4-fold, mirror-image symmetry

96 index

$L/W = 1.000$ $T/W = 0.603$ $U/W = 0.603$

$P/W = 0.419$ $C/W = 0.114$

$Vol./W^3 = 0.203$

PAVILION

1	41.95°	02-22-26-46-50-70-74-94	Cut to CTP
2	40.95°	06-18-30-42-54-66-78-90	Cut to CTP
3	90.00°	02-22-26-46-50-70-74-94	Girdle meet at 96
4	90.00°	06-18-30-42-54-66-78-90	Girdle meet at 12
5	38.00°	08-16-32-40-56-64-80-88	Meet Girdle at 12

CROWN

A	32.70°	02-22-26-46-50-70-74-94	Establish Girdle
B	32.70°	06-18-30-42-54-66-78-90	Establish Girdle
D	29.80°	96-24-48-72	Meet Girdle at 96
E	26.00°	12-36-60-84	Meet girdle at 12
	0.00°	Table	