

### Angles for Topaz

minimum size 7mm

Angles for R.I. = 1.610

53 + 12 girdles = 65 facets

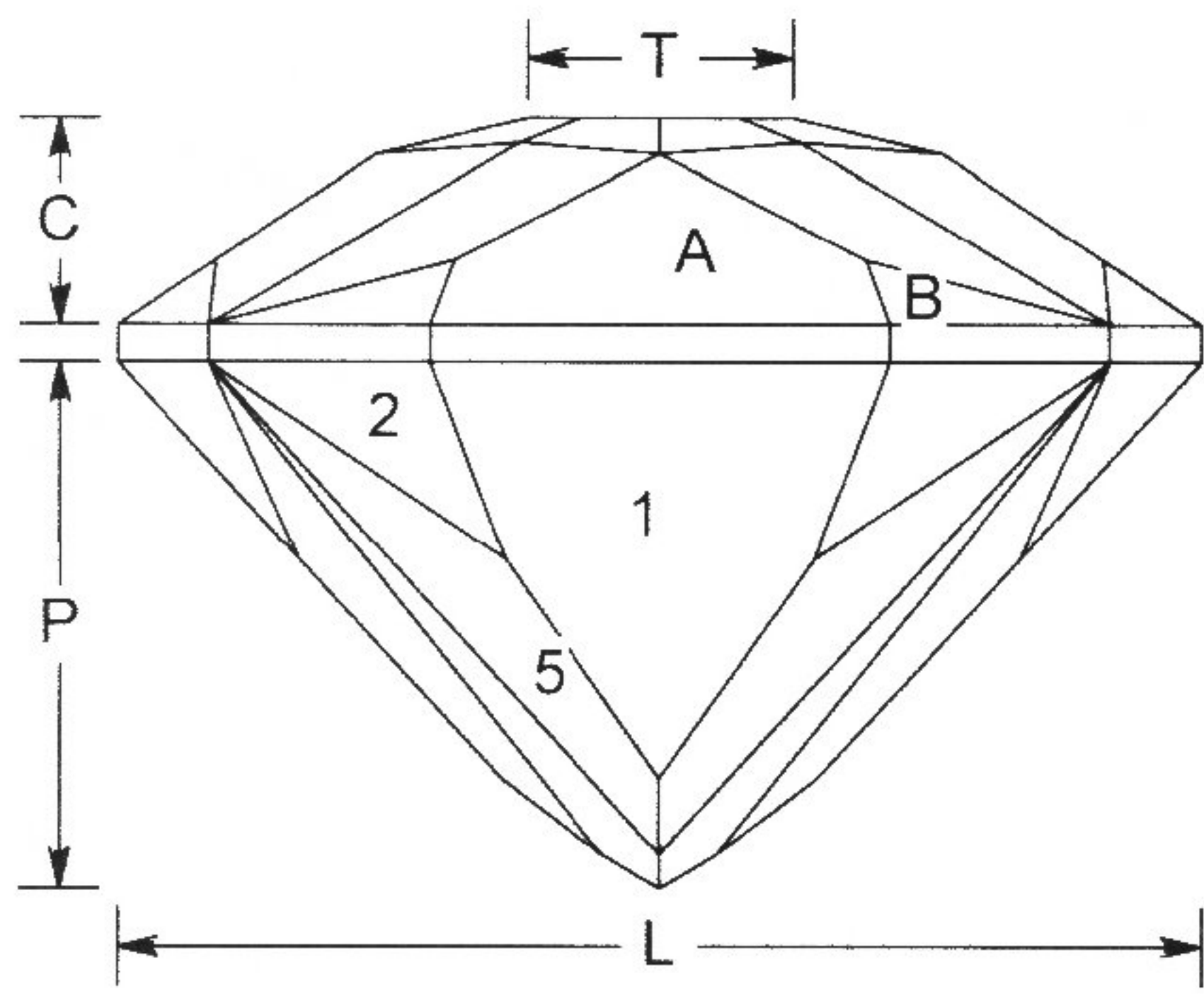
4-fold, mirror-image symmetry

96 index

$L/W = 1.000$   $T/W = 0.245$   $U/W = 0.245$

$P/W = 0.485$   $C/W = 0.191$

$Vol./W^3 = 0.270$



#### PAVILION

1	47.30°	96-24-48-72	
2	45.00°	06-18-30-42- 54-66-78-90	
3	90.00°	06-18-30-42- 54-66-78-90	
4	90.00°	96-24-48-72	
5	41.00°	08-16-32-40- 56-64-80-88	
6	39.50°	12-36-60-84	PCP

#### CROWN

A	33.50°	96-24-48-72
B	33.00°	06-18-30-42- 54-66-78-90
C	22.82°	10-14-34-38- 58-62-82-86
D	16.00°	09-15-33-39- 57-63-81-87
E	0.00°	Table